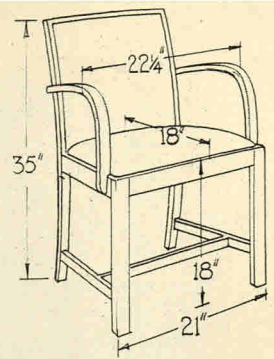


APPROXIMATE SIZES

The "Lingfield" P.K.564
Tapestry

Oak or Hardwood, in 'A' or 'B'
£3.2.6

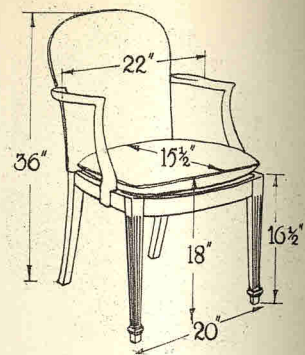


APPROXIMATE SIZES



The "Henfield" P.K.565
Tapestry

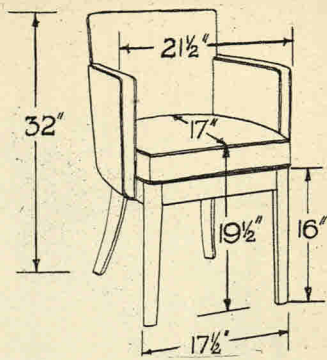
Oak or Hardwood, in 'A' or 'B'
£3.17.6



APPROXIMATE SIZES



The "Hadlow" P.K.576 Oak, Mahogany or English Walnut,
with Hardwood Back Feet, in 'A' or 'B' Tapestry **£4.14.6**

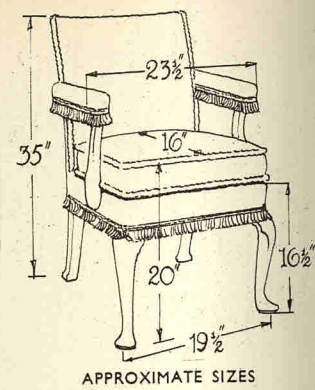


APPROXIMATE SIZES



The "Elsham" P.K.326 Oak, Mahogany or English Walnut,
in 'A' or 'B' Tapestry £5.17.6

SEAT SPRUNG ONLY

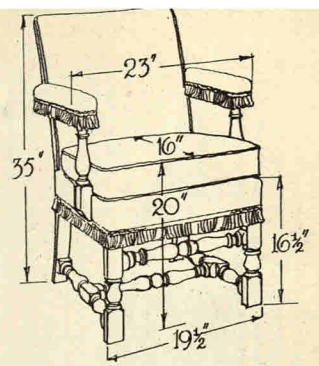


The "Neville" P.K.313

Damask roused, or 'A' or 'B' Tapestry piped

Mahogany or English Walnut in

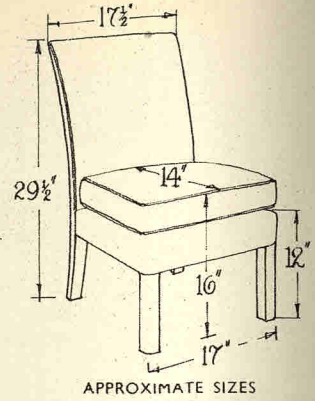
£7.17.6



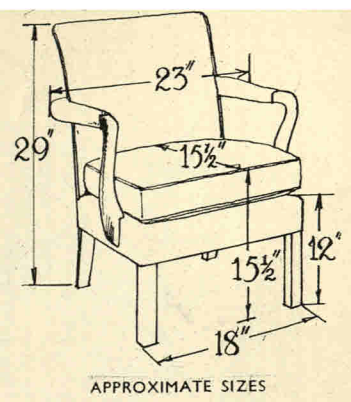
APPROXIMATE SIZES



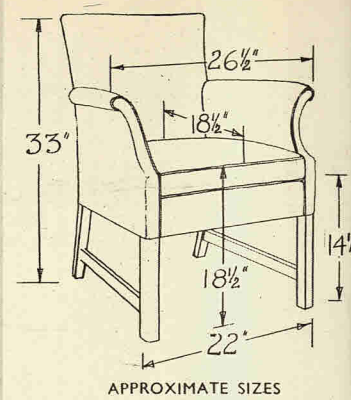
The "Linden" P.K.312 Oak, in 3812 Tapestry for fronts and plain outsides, or 'A' or 'B' Tapestry all over **£7.17.6**



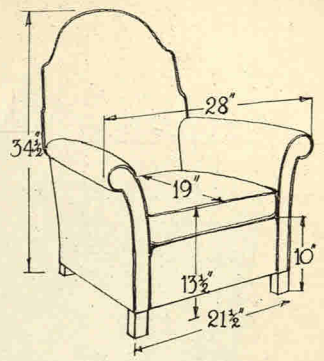
The "Dunbar" P.K.562 Oak, Mahogany or White Birch
with Hardwood Back Feet, in 'A' or 'B' Tapestry £3.3.0



The "Eccles" P.K.574 Oak, Mahogany or White Birch,
with Hardwood Back Feet, in 'A' or 'B' Tapestry £4.14.6

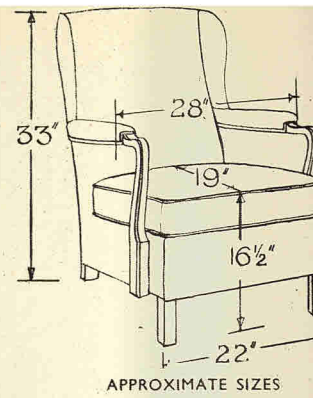


The "Dorman" P.K.122 Oak, Mahogany or English Walnut, with Hardwood Back Feet, in 'A' or 'B' Tapestry £6.0.0



APPROXIMATE SIZES

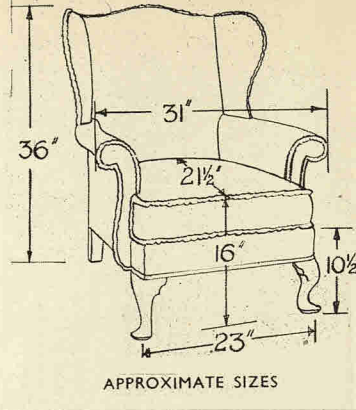
The "Raydon" P.K.558 Hardwood in 'A' or 'B' Tapestry £6.0.0



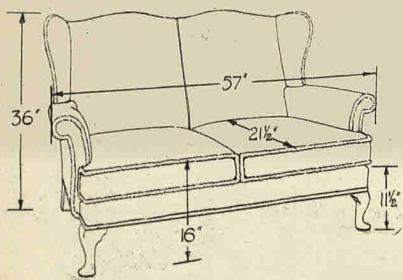
The "Carbis" P.K.35 Oak, Mahogany, English Walnut or White Birch,
with Hardwood Back Feet, in 'A' or 'B' Tapestry **£7.10.0**



The "Capel" P.K.30 Oak, Mahogany or English Walnut,
with Hardwood Back Feet, in 'A' or 'B' Tapestry £7.10.0



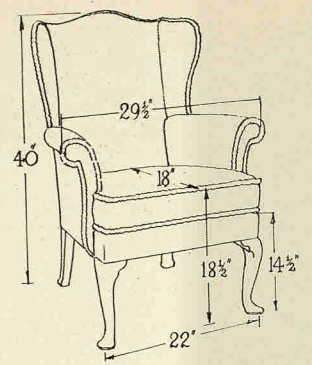
The "Mossley" P.K.320 Oak, Mahogany or English Walnut, with Hardwood Back Feet, in Crushed Velour rouché, or 'A' or 'B' Tapestry piped £8.17.6



APPROXIMATE SIZES

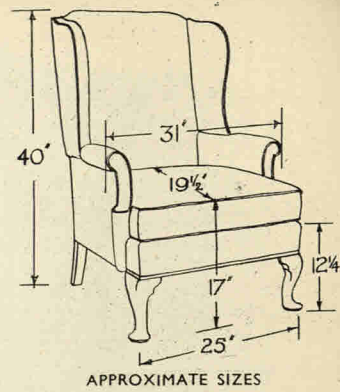


The "Bexley" P.K.352 Oak, Mahogany, or English Walnut, with Hardwood Back Feet, in Crushed Velour rouché, or 'A' or 'B' Tapestry piped £14.10.6

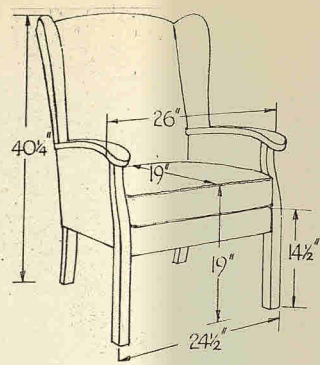


APPROXIMATE SIZES

The "Hartley" P.K.140 Oak, Mahogany or English Walnut, with Hardwood Back Feet, in Crushed Velour rouched, or 'A' or 'B' Tapestry piped **£8.10.0**



The "Nelson" P.K.253 Oak, Mahogany or English Walnut,
with Hardwood Back Feet, in 'A' or 'B' Tapestry £8.10.0

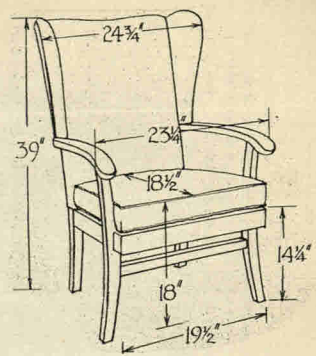


APPROXIMATE SIZES



The "Glyn" P.K.544 Oak or Mahogany, with Hardwood
Back Feet, in 'A' or 'B' Tapestry

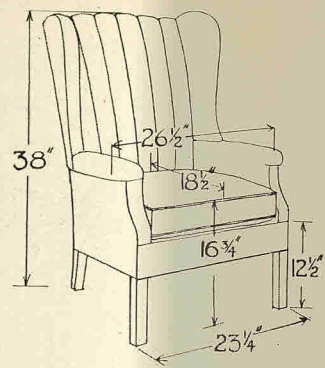
£5.10.0



APPROXIMATE SIZES



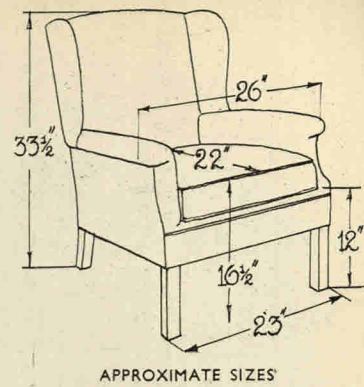
The "Brigham" P.K.571 Oak or Hardwood, with Hardwood Back Feet, in 'B' Tapestry **£3.15.0**



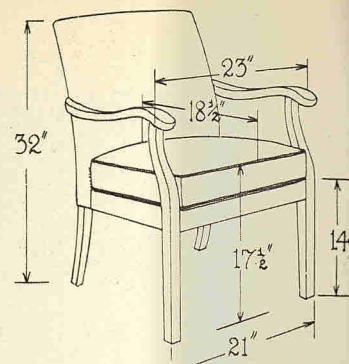
APPROXIMATE SIZES



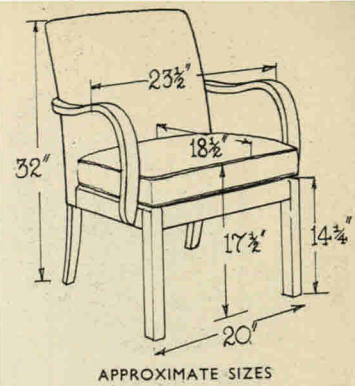
The "Linby" P.K.459 Hardwood, in 'B' Tapestry **£4.17.6**



The "Radlett" P.K.585 Hardwood, in 'B' Tapestry £4.17.6

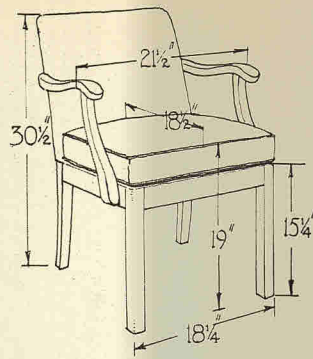


The "Corby" P.K.551 Oak or Hardwood, with Hardwood
Back Feet, in 'B' Tapestry £2.15.0
SEAT SPRUNG ONLY



The "Erith" P.K.553 **Oak or Hardwood, with Hardwood**
Back Feet, in 'B' Tapestry **£2.15.0**

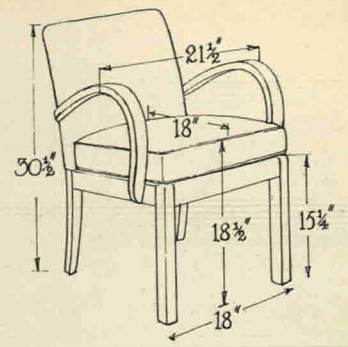
SEAT SPRUNG ONLY



APPROXIMATE SIZES



The "Cale" P.K.572 **Hardwood in 'B' Tapestry** **£2.5.0**
SEAT SPRUNG ONLY



APPROXIMATE SIZES



The "Ellis" P.K.554

Hardwood in 'B' Tapestry
SEAT SPRUNG ONLY

£2.5.0